

Sizewell SSG

Subject: FW: Installation of Additional Radiation Monitors around Sizewell
Attachments: R3M MONITOR_Fixed.pdf; R3M locations.pdf; ATT00001..txt

From: Andy Osman
Sent: 01 April 2014 12:36
To: Sizewell SSG;
Subject: Installation of Additional Radiation Monitors around Sizewell

Dear District and County Councillors, Town and Parish Councils, Parish Meeting, and Sizewell Stakeholder Group,

Firstly, please accept my apologies that this e-mail has not been sent to you earlier. Regrettably my workload on finalising new Sizewell emergency arrangements and preparing for the forthcoming major Sizewell exercise in May has meant this important notification and offer to provide further information may have left you unsighted of this specific improvement to Sizewell emergency arrangements.

By way of background, Sizewell has always had plans for monitoring radiation around the site, both for long term background monitoring and for use in the unlikely event of any radiation emergency. Radiation monitoring starts at the site and a number of radiation monitors are located on the site fence to automatically detect any gamma radiation. Further afield, a range of permanent monitors have been prepositioned, these have to be visited to analyse what they have collected, and there are a series of pre-agreed points that would be visited during any emergency by Vehicle Radiation Survey Teams deployed by the Sizewell operators. Radiation monitors are located out to 15kms from the Sizewell site

Further information on radiation monitoring, including what is monitored, for what purpose and where, can be found in the Sizewell Off Site Emergency Plan at para 28 and Appendix M: [Sizewell Off Site Emergency Plan](#)

One of the proposals included in last year's public consultation by the Suffolk Resilience Forum to improve Sizewell emergency arrangements post Fukushima was to enhance our radiation monitoring arrangements. This was to ensure that we are able to quickly understand any radiation hazard in the event of an emergency at Sizewell. Suffolk County Council has accepted an offer from the Department for Energy and Climate Change to host 10 automatic radiation monitors on street lights to enhance the number of prepositioned monitors amongst communities around Sizewell. A map showing the planned locations for the new monitors is attached. The new R3M radiation monitors are designed to constantly monitor for gamma radiation and to send this information to RIMNET based in London. The new monitors will enhance our ability to quickly detect radiation that is above background levels. A picture of the new monitor, the white tube, is also attached. In due course, readings from the new monitors will be publically available online.

Suffolk County Council Highways are now in the process of deploying these new radiation monitors on street lights; in some places, locations 2, 4, 5, 7 & 8, new posts need to be installed as there are no suitable street lights nearby. The cost of the installation and subsequent operation is being paid for by the Department for Energy and Climate Change. Installation is planned to take place over the next few months.

I would be very happy to provide you with further information or to discuss any specific issues.

Kind regards

Andy

Andy Osman



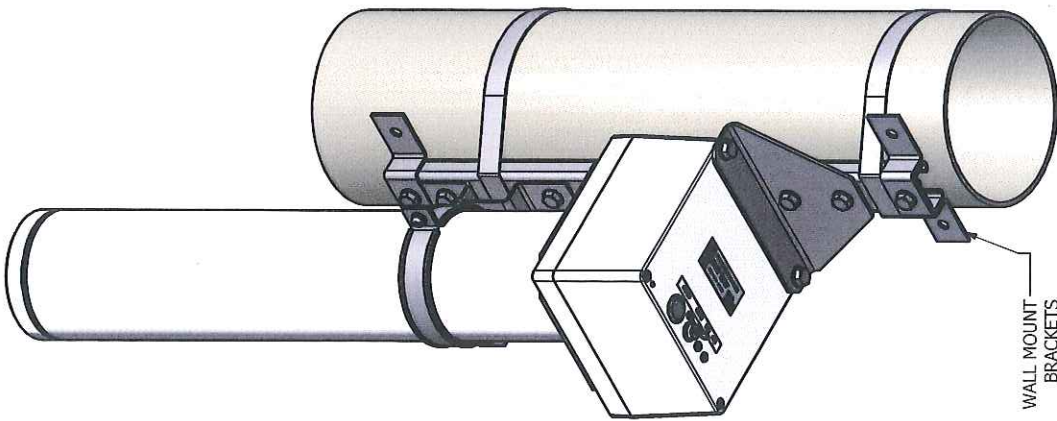
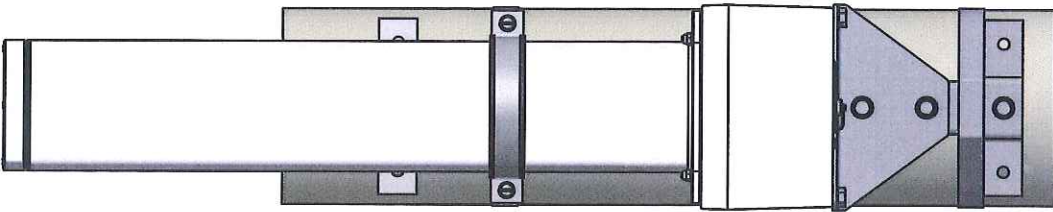
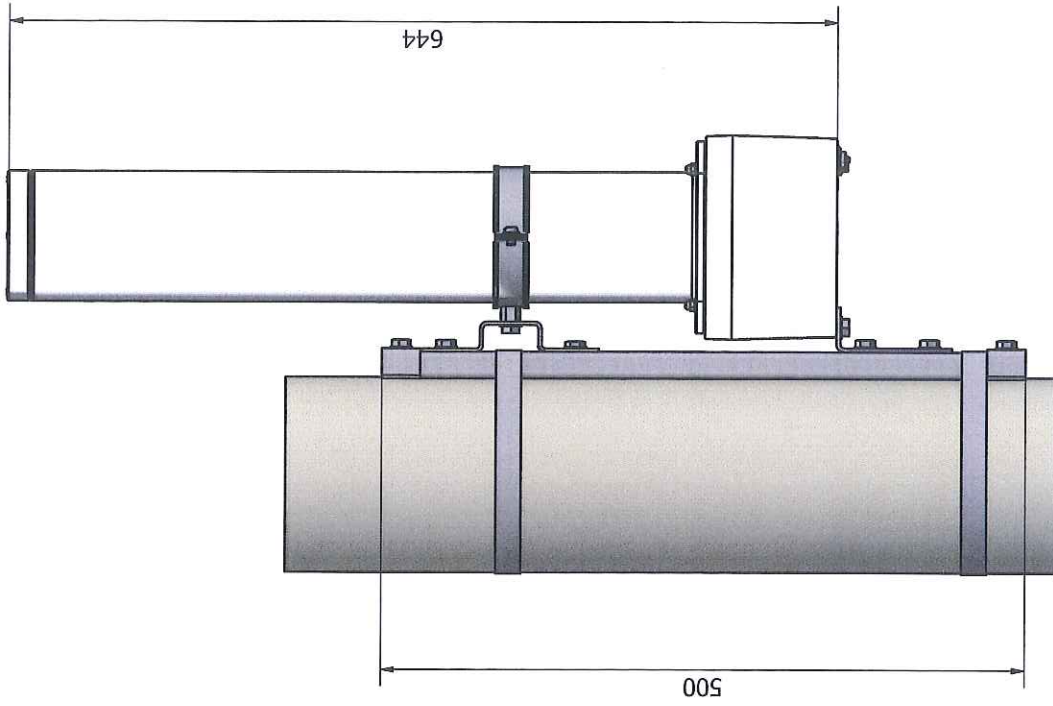
Lizy Robinson, Director of Economy, Skills and Environment,
Debra House, 6 Fossil Road, Ipswich, Suffolk, IP1 2EX.

Scale 1:42000

This map is based upon Ordnance Survey material with the permission of Ordnance Survey on behalf of the Controller of Her Majesty's Stationery Office © Crown copyright. Unauthorised reproduction infringes Crown copyright and may lead to prosecution or civil proceedings. Suffolk County Council Licence No. 100028395 2012

**Site Location for 10
Sizewell Air Monitor's**

PRODUCED BY: DJA 4/2010
CHECKED BY:
DRAWING No.
DATE 06/ September 2011



Designed by NH	Checked by	Approved by	Date 20/02/2012	Date 20/02/2012	Sheet 1 / 1
R3M FIXED - Draft				Edition	